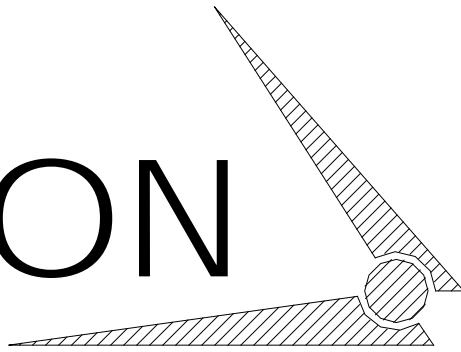


CHAMPION

Hoist and Equipment



AN AFFILIATE OF

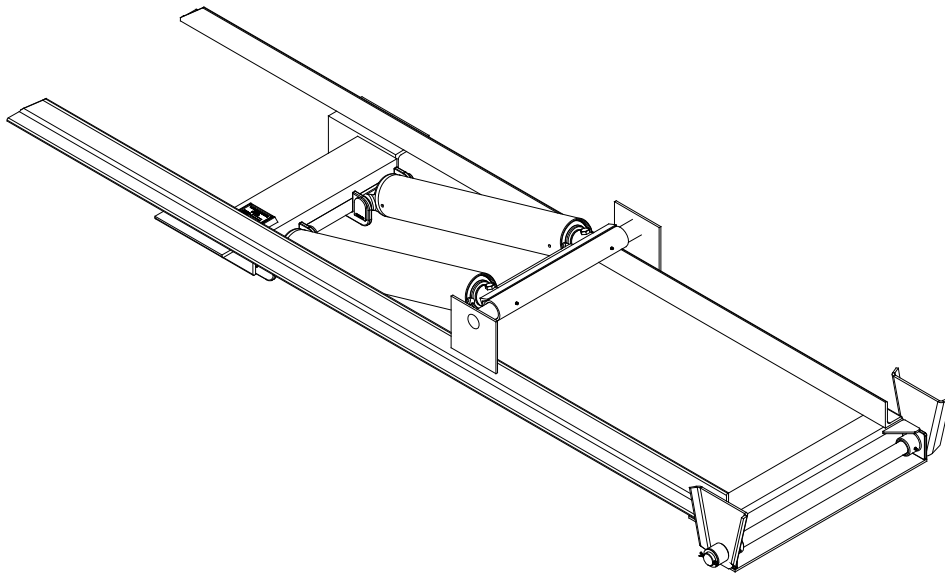
The **Godwin**
 **Group**

200 CHAMPION DRIVE

DUNN, NC. 28334

(910) 897-4995 FAX: (910) 897-7306

5530DM UNDERBODY HOIST



Operation & Installation Manual

CHAMPION HOIST & EQUIPMENT

200 Champion Drive

Dunn, N.C. 28334

800-649-4995

3/2009

UNDERBODY HOIST

Table of Contents

Page 4	Service Information
Page 5-6	Operations and Service Do's & Don'ts (SAFETY INFORMATION)
Page 7	Hoist Operation Instructions
Page 8-9	Champion Subframe Hoist Installation Procedures
Page 10	Subframe Installation Detail
Page 11	Lubrication Instructions
Page 12	Detailed Instructions to Reverse Rotation on a C102 Pump
Page 13	SP4 Valve & Valve Bracket/Control Handle Assembly
Page 14	Safety Prop Cup Installation
Page 15	Hydraulic Plumbing Diagram
Page 16	9 Gallon Reservoir Assembly
Page 17	Hydraulic Plumbing Diagram w/ SP-4 Valve
Page 18	P20 Series Pumps
Page 19	8 1/2 Gallon Reservoir Assembly
Page 20-21	Parts, Performance, and Layout Dimensions



CHAMPION HOIST AND EQUIPMENT

200 CHAMPION DRIVE
DUNN, N.C. 28334

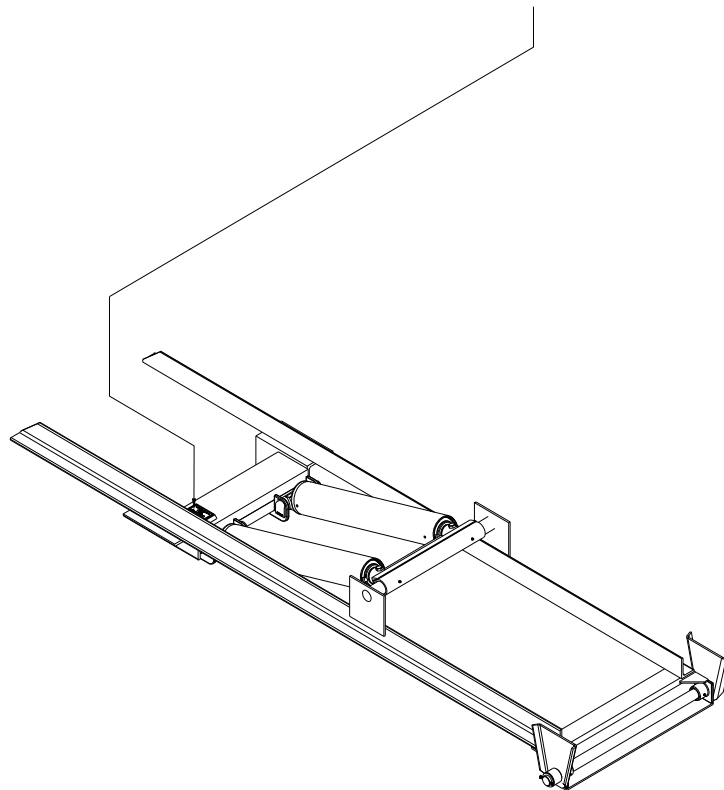
Phone# (800) -649-4995

Phone# (910) -897-4995

fax# (910) -897-7306

when calling, specify (parts) - (service) - (sales)
have the following information on hand for
faster service, body model # & Serial #
hoist model # & serial #
year, make, type of truck.

this information is provided as indicated

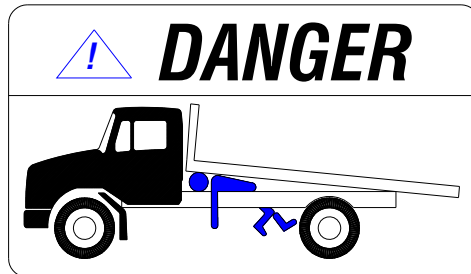


Operations and Service Manual

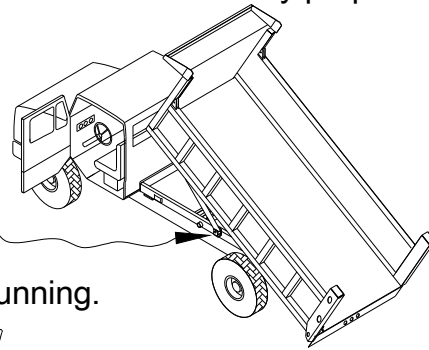
Do not operate this equipment without fully reading and understanding this manual.

Do not allow unauthorized personnel to operate this equipment.

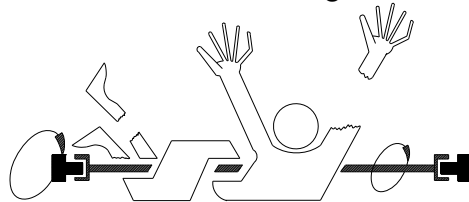
Do not go underneath a loaded raised bed under ANY circumstances.



Do not go underneath an unloaded raised bed unless the safety props are properly positioned.



Do not go underneath a truck with engine running.



Do not allow controls and area around them to become cluttered with tools, cans, etc.

Do not use hands or other body parts to check for hydraulic leaks.

Do not leave truck unattended with bed raised.

Do not allow personnel to ride in or on the bed.

Do not load the equipment beyond the GVW rating of the vehicle or the hoist rating.

Do not operate the hoist on an unlevel or soft surface.

Do not operate the hoist **UNDER POWER LINES!!**

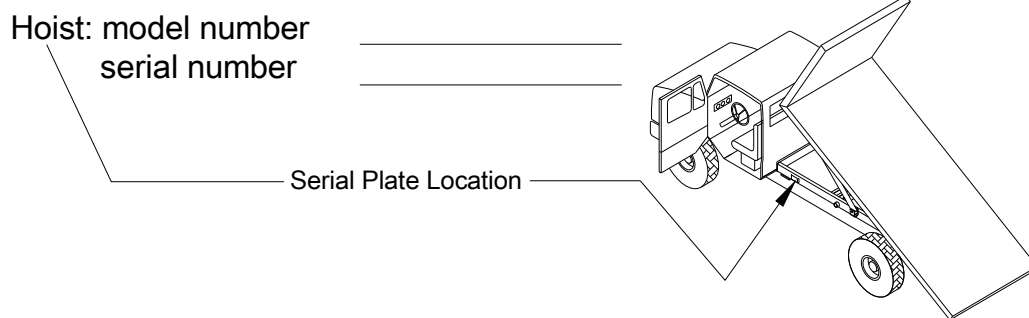
Do not raise the hoist when vehicle is in motion.

Do not move a vehicle with a raised hoist.

Be sure to.....

- * Follow all Federal, State, Local regulations pertaining to this equipment.
- * Keep unit properly maintained and serviced.
- * Understand and follow all safety decals and keep them in good condition.
- * Check hydraulic oil level weekly.
 - * For PTO driven pumps use HD 32 hydraulic oil.
 - * For electric driven pumps use ATF, automatic transmission fluid.
- * Add correct hydraulic oil to reservoir as needed.
- * Use EP-3 grease for all grease fittings.
- * Lubricate hoist and rear hinge assembly every 90 to 180 days depending on useage. (See MP50077)
- * Check all bolts, welds, electrical connections frequently.

When calling for Parts/Service Be Sure To Have....



HOIST OPERATION

To Operate Hoist:

- (1) Engage PTO per PTO operation instructions.
- (2) The pump/hoist control should be in the neutral or “hold” position.
- (3) For a manual control - pull to raise, push to lower.
NOTE: Manual push/pull controls require a 1/2 inch mounting hole.
- (4) When bed raises to desired height, push the pump/hoist controls to the center neutral or “hold” position. This will stop bed movement up or down.
- (5) To lower bed - push pump/hoist control.
- (6) Disengage PTO.

INSTALLATION INSTRUCTIONS

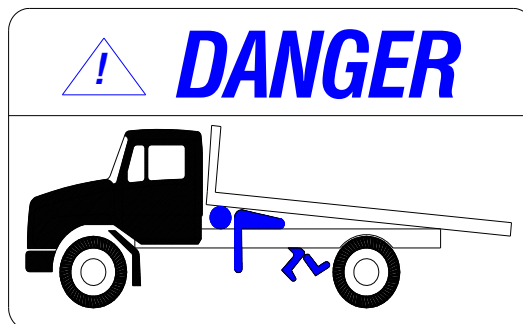
REFER TO MP50074

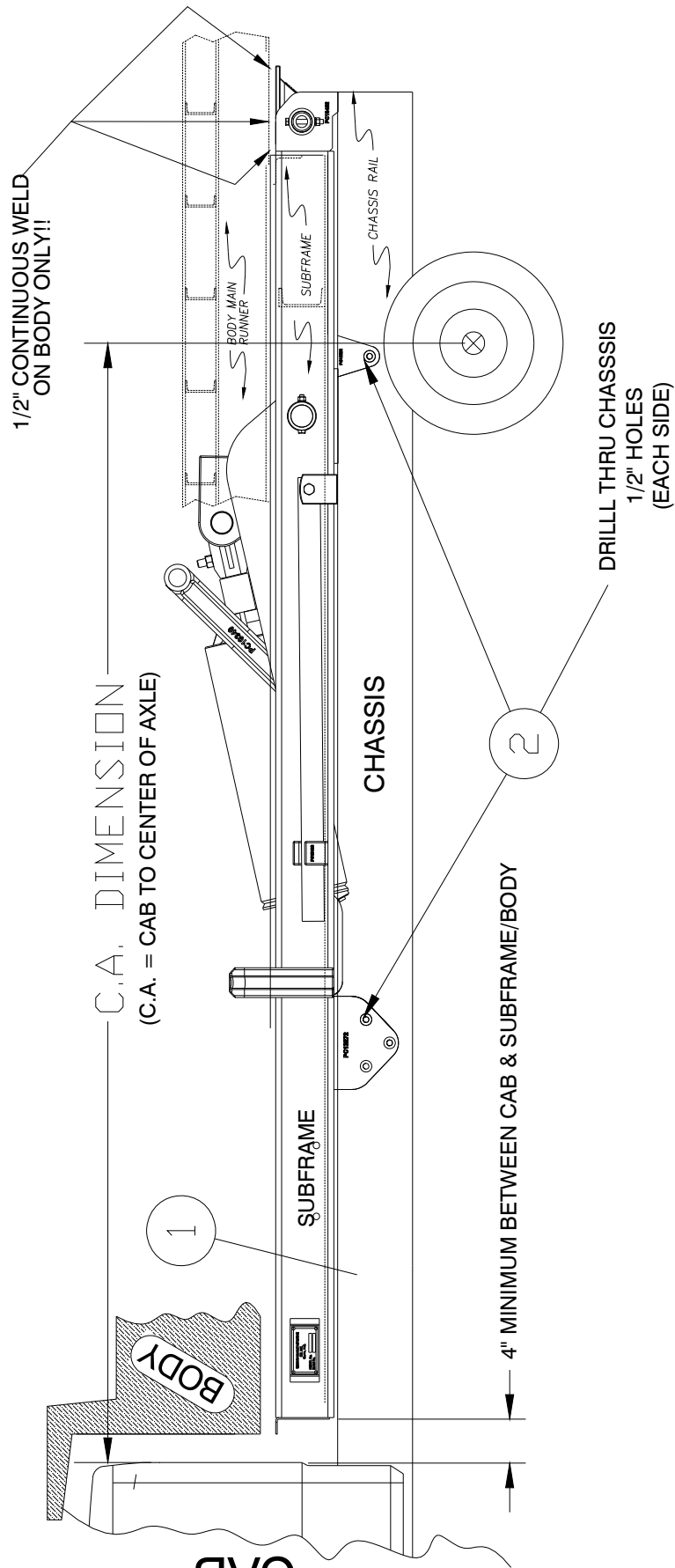
- STEP #1 SET SUB FRAME ON CHASSIS 4" FROM CAB.
(NOTE: MAKE SURE THERE ARE NO OBSTRUCTIONS (MUFFLER ETC.)
- STEP #2 DRILL (8) 1/2" HOLES THRU CHASSIS AND INSTALL HARDWARE.
(EACH SIDE)
- STEP #3 DRILL (2) 5/8" HOLES THRU CHASSIS AND INSTALL 5/8" x 2-1/2" BOLT.
(EACH SIDE)
- STEP #4 REMOVE EXCESS CHASSIS.
- STEP #5 INSTALL PUMP CABLE ASSEMBLY IN CAB OF TRUCK. THIS REQUIRES A
1/2" HOLE DRILLED THRU CAB FLOOR. (NOTE: CONTROL MUST MOUNTED
IN FLOOR DUE TO CABLE LENGTH)
- STEP #6 MOUNT HYDRAULIC PUMP TO PTO. BEFORE MOUNTING, CHECK ROTA-
TION OF PUMP. IF PUMP HAS A ROTATION THAT NEEDS TO BE REVERSED
SEE MP50078 - PROCEDURES TO REVERSE C102 PUMPS ROTATION. IF
APPLICATION CALLS FOR A P22 PUMP SEE NOTE ON PD40030 FOR
FURTHER INSTRUCTIONS.
- STEP #7 INSTALL RESERVOIR TANK IN FRONT OF LOWER BUNK FOR A C102 PUMP
APPLICATION AS INDICATED ON MP50077.
FOR A P22 PUMP APPLICATION, TWO THINGS NEED TO BE CONSIDERED:
#1 - REQUIRES A SP4 VALVE & VALVE MOUNTING BRACKET & A
CABLE SUPPORT BRACKET. (SEE MP50079)
#2 - RESERVOIR MOUNTING. SP4 BRACKET IS TO BE MOUNTED IN
SUCH A WAY THAT THE PORTS ARE ACCESSIBLE AND THE
CABLE CONTROLS OPERATE FREELY. AFTER DETERMINING
WHERE THE SP4 VALVE MOUNTING BRACKET WILL BE
MOUNTED, INSTALL RESERVOIR. (SEE MP50077)
- STEP #8 PLUMB HYDRAULICS PER PLUMBING DIAGRAM:
PD40029 - SINGLE ACTING CYLINDERS W/ C102 PUMP
PD40030 - DOUBLE ACTING CYCILNDERS W/ P22 PUMP
- STEP #9 AFTER HYDRAULIC CONNECTIONS ARE COMPLETED AND CABLE
ASSEMBLY INSTALLED, FILL RESERVOIR WITH OIL.

INSTALLATION INSTRUCTIONS CONTINUED

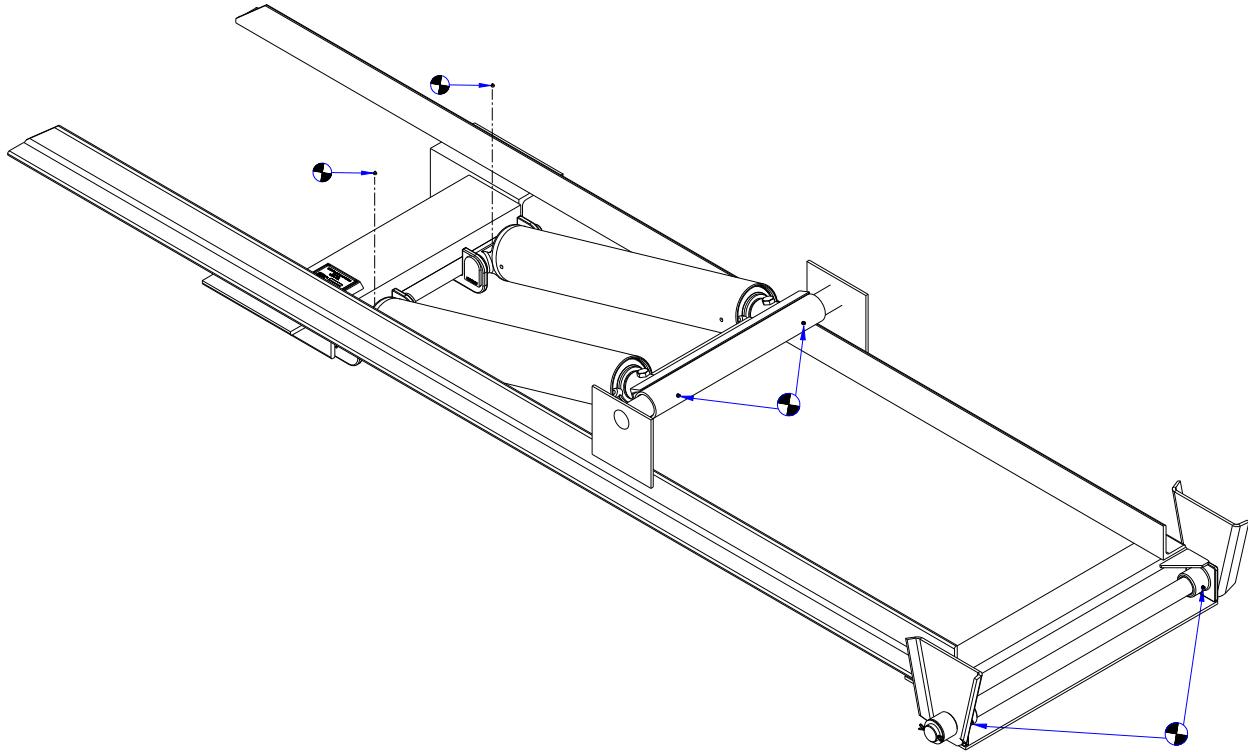
- STEP #10 SET BODY. THERE ARE 2 METHODS.
- #1 FOR A SINGLE ACTING ASSEMBLY - WITH HOIST RAISED SUSPEND BODY OVER SUBFRAME A MINIMUM OF 4" AWAY FROM CAB, AND LOWER BODY DOWN LOW ENOUGH TO INSTALL UPPER LIFT ARM PINS TO BODYS UPPER BUNK. (SEE MP50077 ITEM 1) AFTER INSTALLATION OF LIFT ARM PINS AND COTTER PINS, LOWER HOIST AND BODY ONTO CHASSIS MAKING SURE CYLINDER IS FULLY RETRACTED. BODY SHOULD BE EVEN WITH FRONT SUBFRAME RAILS. WELD REAR HINGE FLIPPERS SECURELY TO BODY.
- #2 FOR A DOUBLE ACTING ASSEMBLY - RAISE HOIST AND SUSPEND BODY OVER SUBFRAME A MINIMUM OF 4" AWAY FROM CAB, AND LOWER BODY DOWN LOW ENOUGH TO INSTALL UPPER LIFT ARM PINS TO BODYS UPPER BUNK. (SEE MP50077 ITEM 1) AFTER INSTALLATION OF LIFT ARM PINS AND COTTER PINS, WHILE LOWERING BODY ONTO CHASSIS AND AT THE SAME TIME USING HYDRAULIC POWER, BOTTOM OUT CYLINDER TO PULL SLACK OUT OF HOIST. SECURELY WELD REAR HINGE FLIPPERS TO BODY.
- CAUTION - IF SLACK IS NOT REMOVED DAMAGE TO HOIST/BODY COULD OCCUR!!!**
- STEP #11 INSTALL SAFETY PROP CUPS ON BODY IN SUCH A MANNER THAT THE PROP IS ANGLED SLIGHTLY TO THE REAR. (SEE MP50080)
- STEP #12 REINSPECT ALL WELDS, CHECK THAT ALL HARDWARE IS SECURE, AND PLUMBING CONNECTION FOR LEAKS. (REPAIR AS NECESSARY)
- STEP #13 GREASE ALL PIVOT POINTS AND GREASE FITTINGS. (SEE MP50077)


NOTE: NEVER WORK ON A RAISED EMPTY BODY WITHOUT SAFETY PROPS IN PLACE!!!





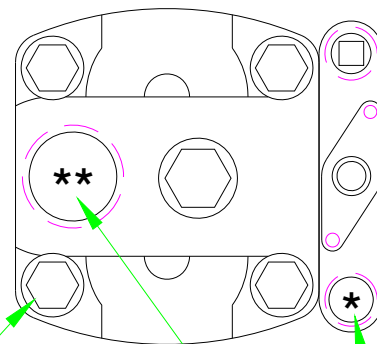
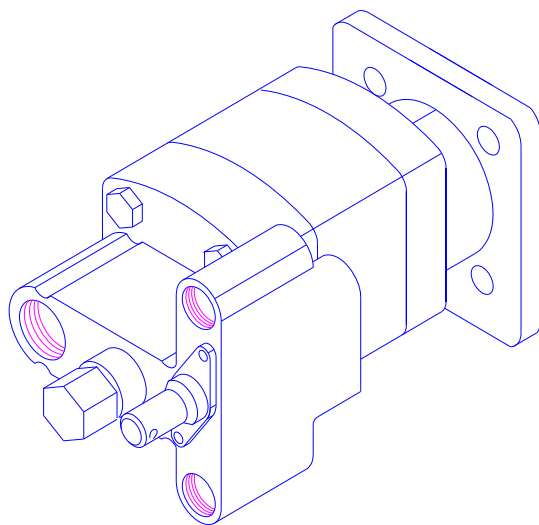
C.A. DIMENSIONS (CAB TO CENTER OF AXLE)		
C.A. DIMENSION	72"	84"
BODY LENGTH	9'	10'



 - INDICATES GREASE FITTING LOCATIONS THAT MUST BE LUBRICATED DEPENDING ON USAGE, LOAD, ENVIRONMENT AND CLIMATE. LUBRICATE ALL PIVOT POINTS USING EP-2 CHASSIS GREASE OR EQUAL.

* Grease hoist and rear hinge assembly each time truck is serviced.

INSTRUCTIONS TO REVERSE C102 PUMP ROTATION



STEP #1 SECURELY MOUNT PUMP FLANGE IN VISE
SHAFT DOWN!

STEP #2 REMOVE (4) HEX BOLTS, WASHERS.

** SUCTION PORT

STEP #3 LIFT OFF VALVE AND CENTER SECTION OF
PUMP LEAVING FRONT COVER AND GEARS
IN PLACE, AND ROTATE 180°.

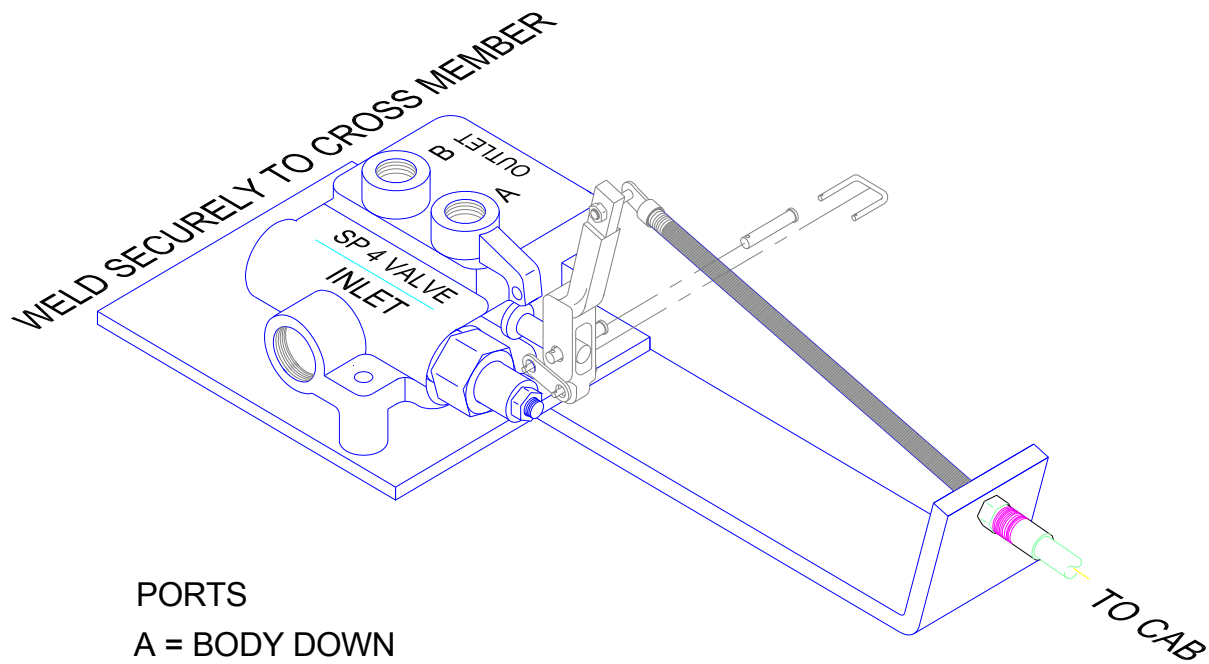
* CYLINDER PORT

STEP #4 LOWER CENTER SECTION AND VALVE ONTO
FRONT COVER AND GEARS BEING CAREFUL
NOT TO DISTURB POCKET SEALS IN TRUST
PLATES. (IF NEEDED GLUE IN WITH CHASSIS
GREASE) .

STEP #5 REINSTALL BOLTS AND WASHERS AND EVENLY
TORQUE ASSEMBLY BOLTS TO 200 FOOT LBS.

SP4 VALVE CONTROL HANDLE ASSEMBLY

REMOTE VALVE for DA APPLICATION



PORTS

A = BODY DOWN

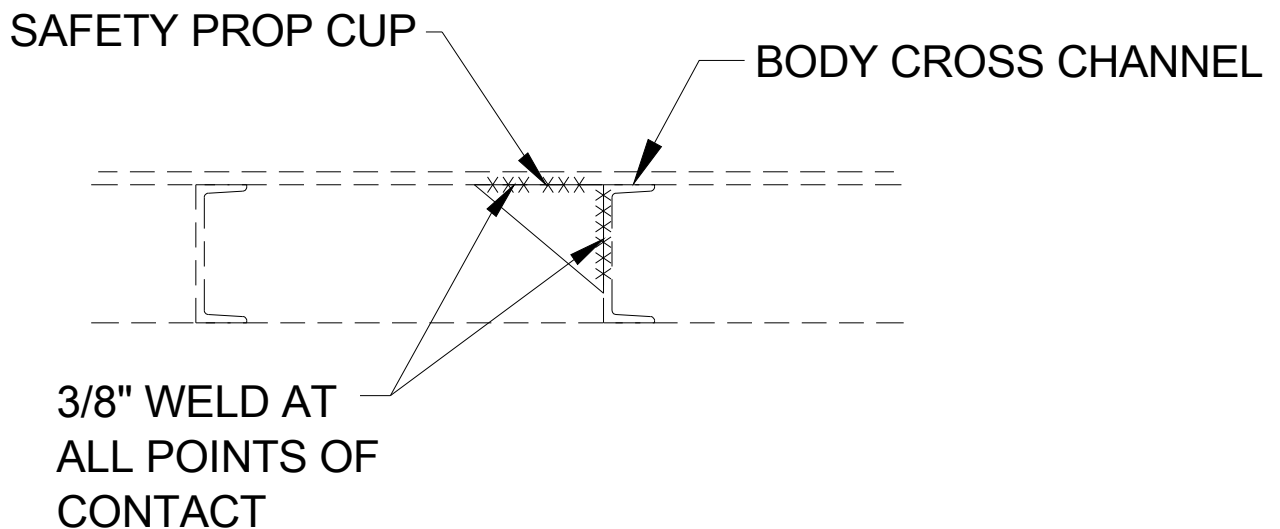
B = BODY UP

INLET = DISCHARGE FROM PUMP

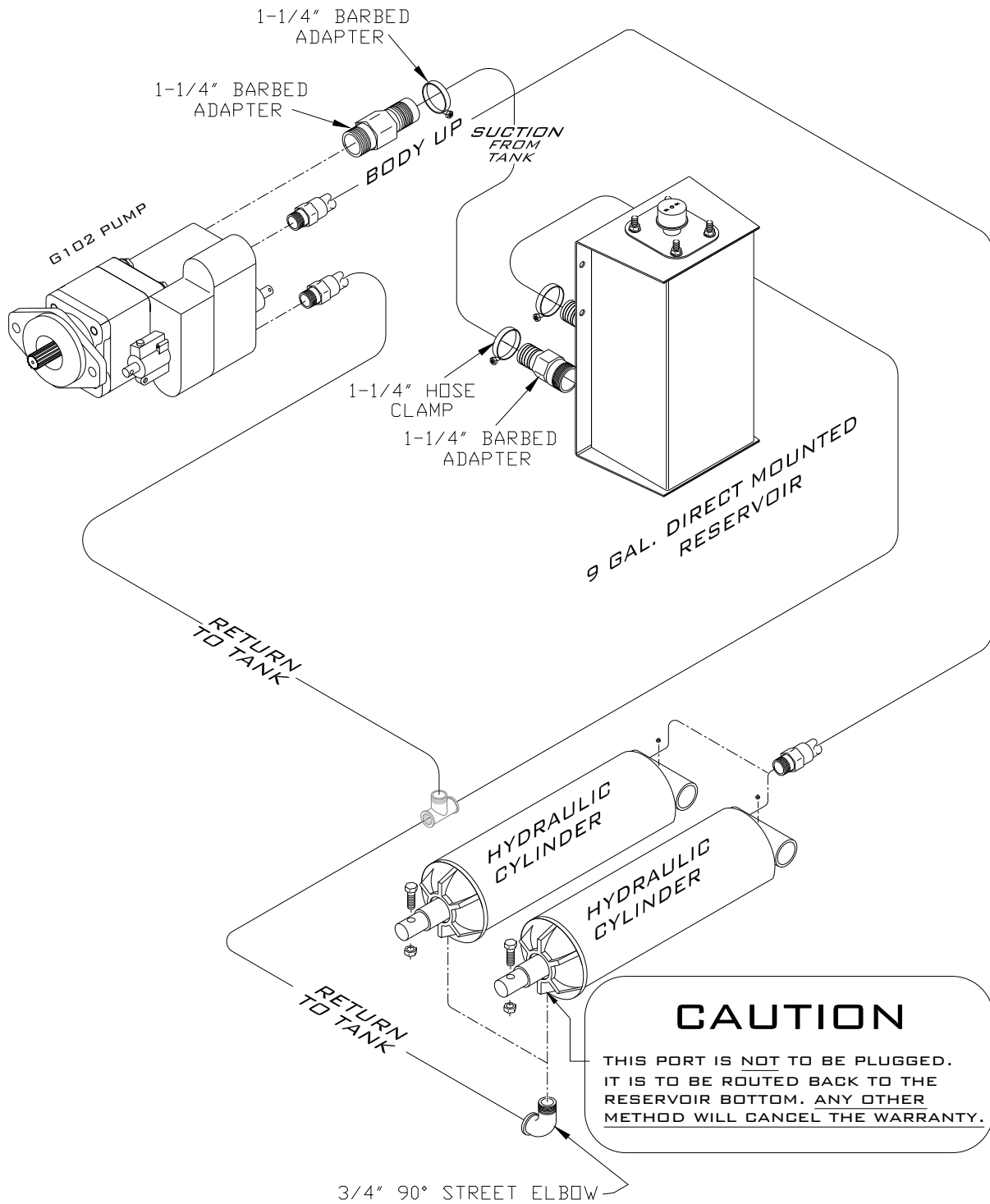
OUTLET = RETURN TO RESERVOIR

HYDRAULIC CONTROL CABLE FOR STANDARD CABS-R38LLR 8' LONG, STANDARD.
OTHER LENGTHS AVAILABLE

SAFETY PROP CUP INSTALLATION

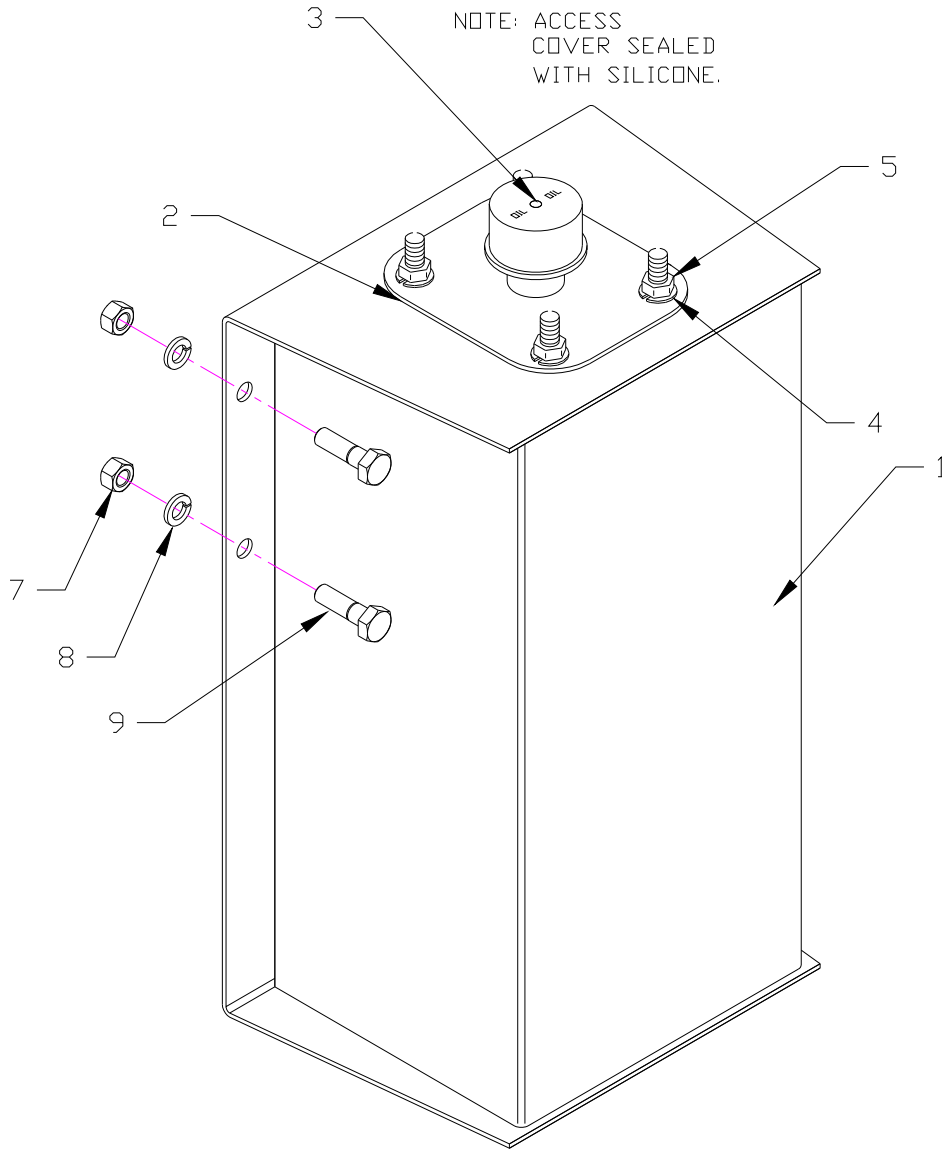


LOCATE SAFETY PROP CUPS ON BODY MAIN RUNNER SO THAT THE SAFETY PROP IS ANGLED SLIGHTLY TO THE REAR. ALSO, BE SURE CUPS ARE SUPPORTED BY A BODY CROSS CHANNEL.



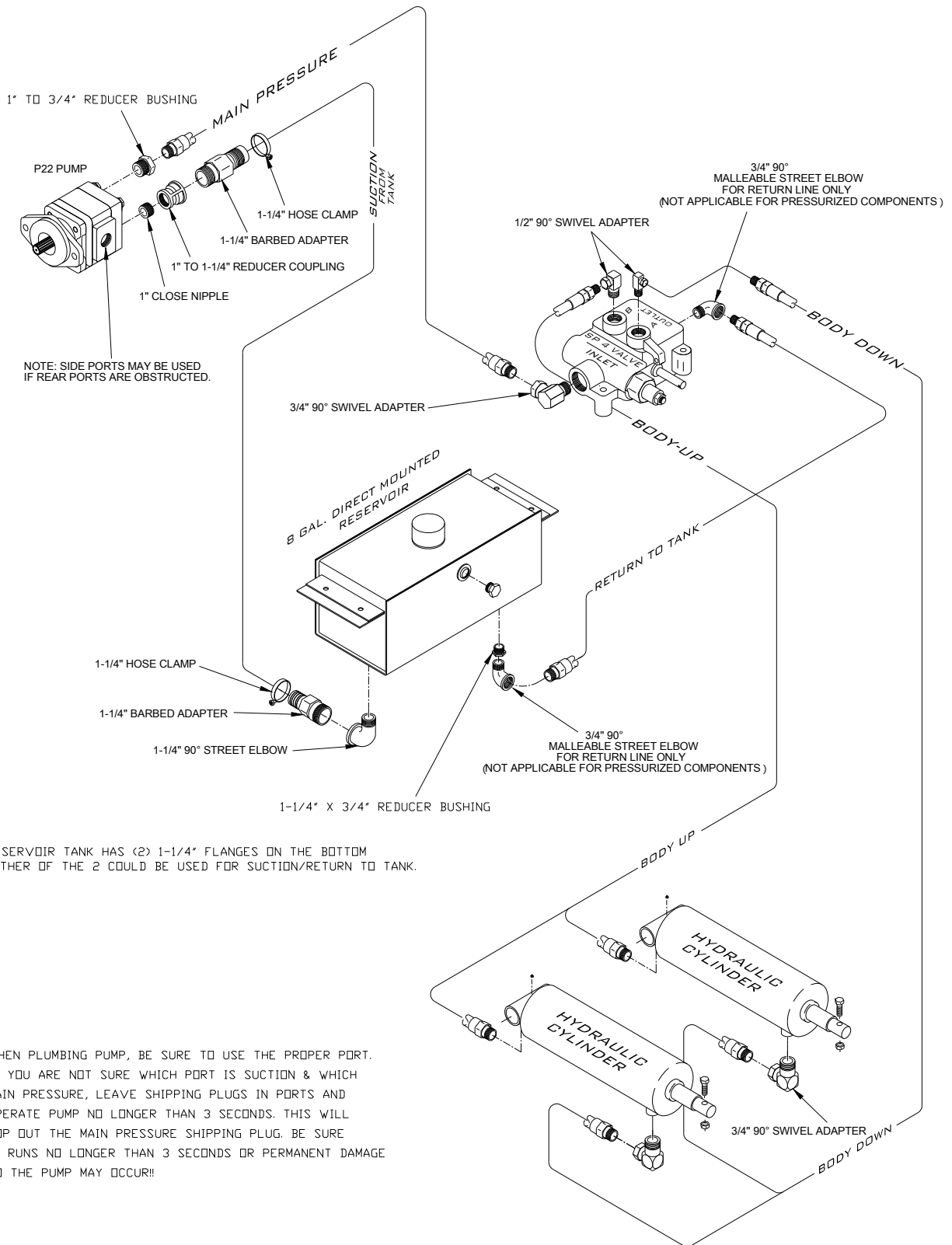
NOTE: RESERVOIR TANK HAS (2) 1-1/4" FLANGES ON THE BOTTOM
EITHER OF THE 2 COULD BE USED FOR SUCTION/RETURN TO TANK.

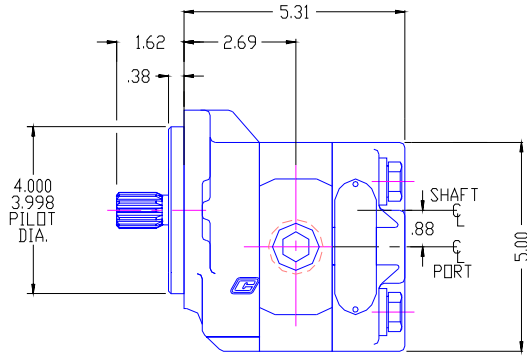
HYDRAULIC PLUMBING DIAGRAM



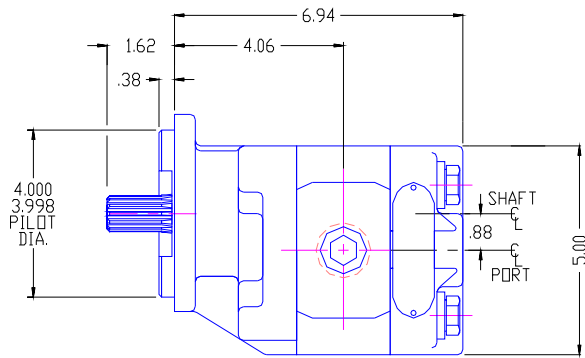
NO.	PART NUMBER	QTY.	DESCRIPTION
1	W15045	1	WELDMENT, 8 GAL. RESERVOIR
2	W15044	1	WELDMENT, RESV. ACCESS COVER
3	P10241	1	CAP
4	116-3-A1	4	3/8" HEX NUT
5	118-3-A1	4	3/8" LOCK WASHER
6	23-4	1	PLUG, PIPE 1/2" (NOT SHOWN)
7	116-5-A1	4	1/2" HEX NUT
8	118-5-A1	4	1/2" LOCK WASHER
9	102-409	4	1/2" x 2" CAP SCREW

HYDRAULIC PLUMB DIAGRAM-DA

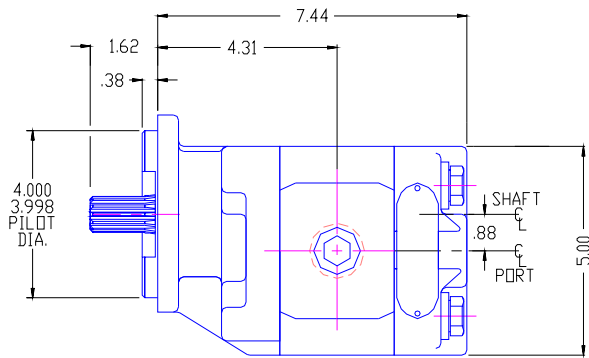




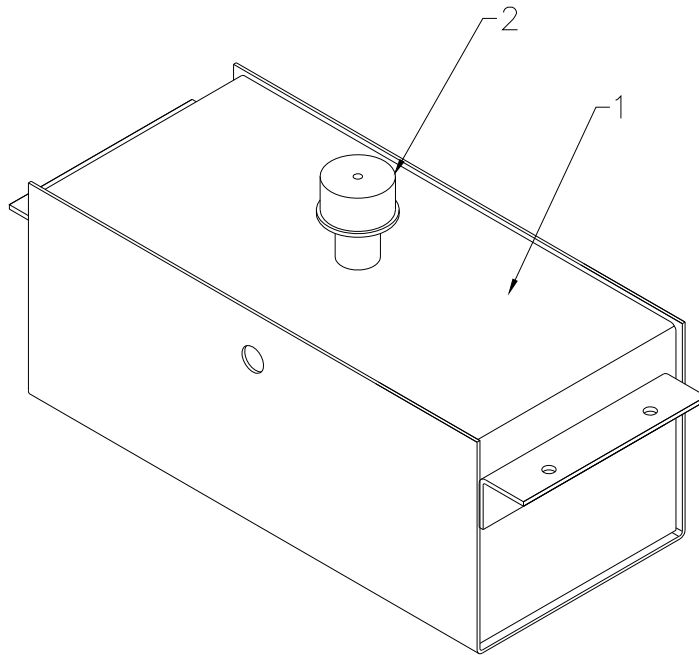
P21 PUMP



P22 PUMP



P23 PUMP

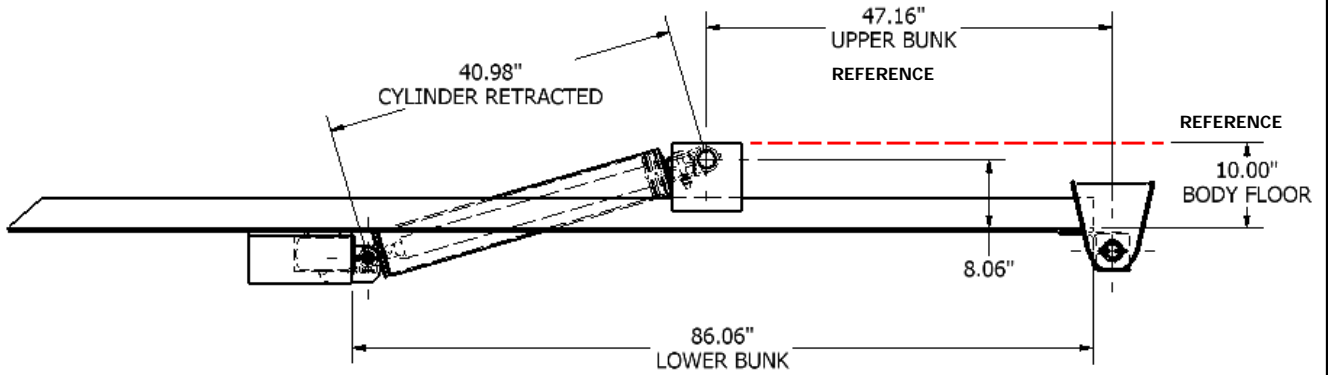
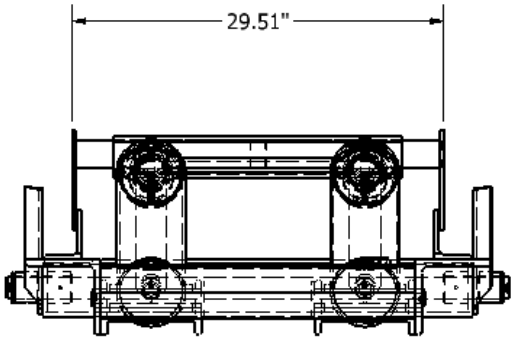


NO.	PART NUMBER	QTY.	DESCRIPTION
1	W15053	1	8.5 GALLON RESERVOIR WELDMENT
2	P10241	1	CAP

CHAMPION HOIST MODEL: 5530DM

STANDARD SUBFRAME LENGTHS (FT):

12,13,14



DESIGNED FOR TRUCKS WITH 24,000 TO 33,000 GVW

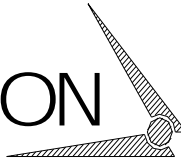
CHAMPION

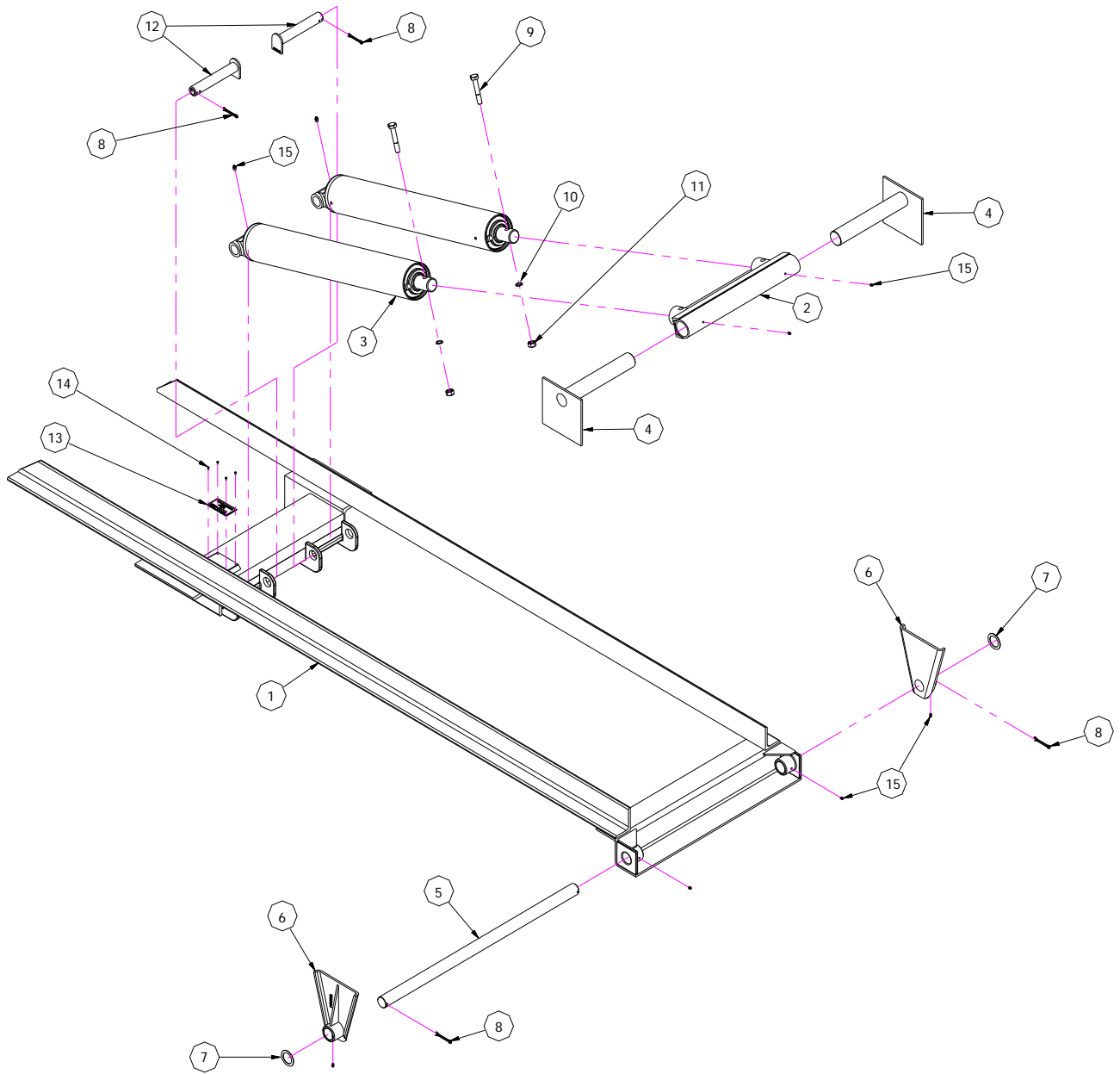
Hoist and Equipment

Dunn, North Carolina, U.S.A.

910 - 897 - 4995

Fax 910 - 897 - 6822





Parts List			
ITEM	QTY	PART NUMBER	DESCRIPTION
1	1	W13439	WELDMENT SUBFRAME 5530DM
2	1	W13149	WELDMENT CROSS ARM 5530DM
3	2	5530-DA	CYLINDER, UNDERBODY
4	2	W13152	LIFT ARM, 5530DM
5	1	SM20065	SHAFT, REAR HINGE
6	2	PC10355	HINGE PLATE
7	2	122-15	WASHER
8	4	125-259	COTTER PIN, 1/4 X 2 1/2
9	2	102-617-L	HEX BOLT, 5/8-11 UNC X 4, GR 9
10	2	118-7-A1	LOCK WASHER, 5/8
11	2	143-7	LOCK NUT, 5/8
12	2	PC10560	CYLINDER PINS
13	1	P10200	SERIAL PLATE
14	4	PAAP43	POP RIVET, 1/8
15	8	PT7608	GREASE FITTING